

FIGURE B-1: PICKIT™ 2 SCHEMATIC DIAGRAM (PAGE 1 OF 2)

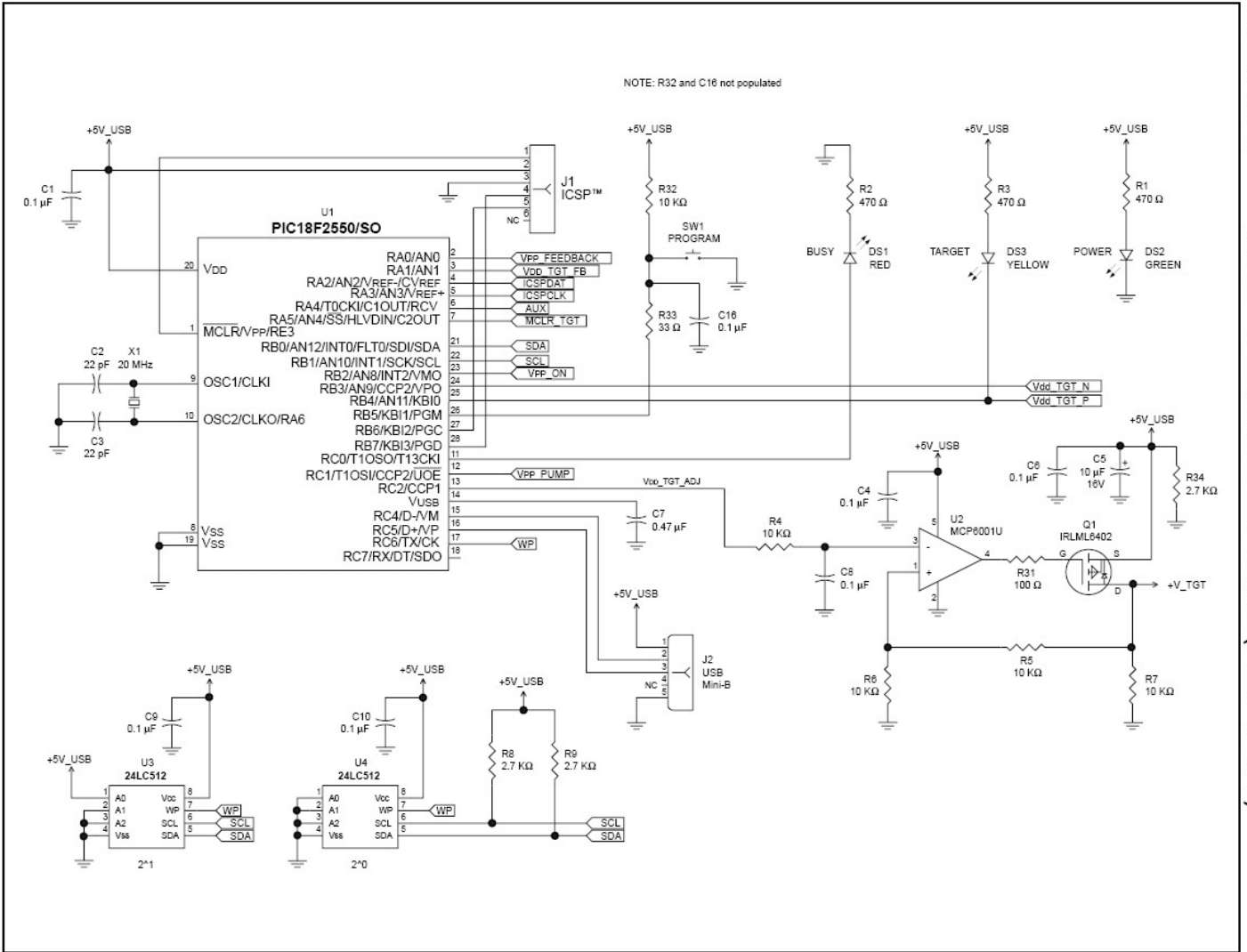


FIGURE B-2: PICKIT™ 2 SCHEMATIC DIAGRAM (PAGE 2 OF 2)

